

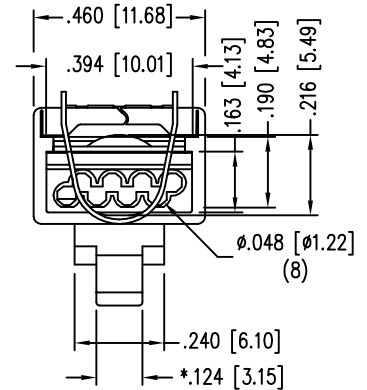
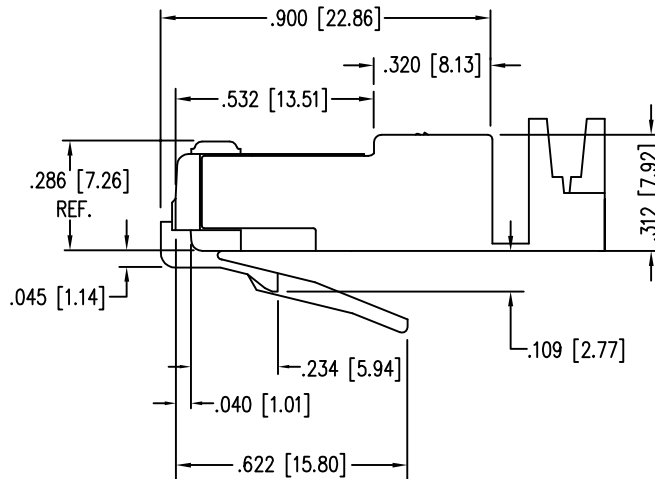
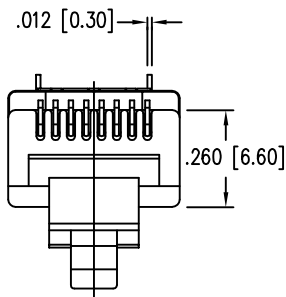
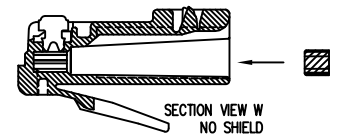
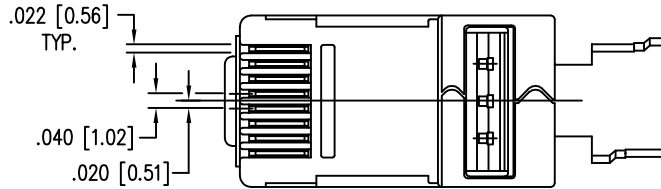
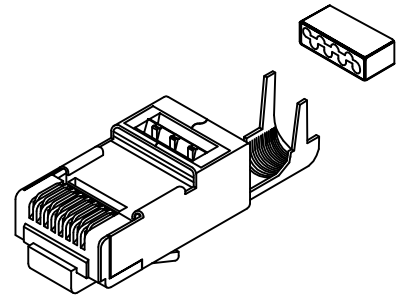
Sentinel® Connector Systems Inc.

1953 Stanton Street

York, Pa. 17404

PART NO.: 111S08080090C34

- * EIGHT CONDUCTOR MODULAR PLUG
- * FOR HIGH SPEED APPLICATION
- * FOR CONDUCTORS WITH AN O.D. RANGE OF .044 - .048
- * USE FOR SOLID OR STRANDED CONDUCTORS
- * PRODUCT REQUIRES A CONDUCTIVE LOAD BAR
- * SHIELDED VERSION MODULAR PLUG



"PATENTED"

SPECIFICATIONS :

PERFORMANCE: MEETS OR EXCEEDS CATEGORY 6 ANSI/EIA 568-C.2
PERFORMANCE TUNED TO CABLES MEETING CATEGORY 6 SPECIFICATIONS.

CONTACT MATERIAL: PHOSPHOR BRONZE - .012 THK
CONTACT PLATING: 50 MICRO-INCH : OTHER PLATING OPTIONS AVAILABLE
SELECTIVE 24 CARAT HARD GOLD PLATE IN CONTACT AREA
OVER 100 MICRO-INCH MINIMUM NICKEL PLATE
PER CURRENT SELECTIVE GOLD PLATING REQUIREMENTS.
SHIELD MATERIAL: .012 THK CDA-260 1/4 HARD BRASS

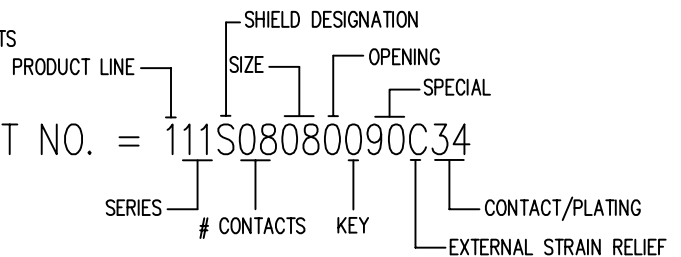
SHIELD PLATING: 100% TIN, 100-150 MICRO-INCH TIN PLATED
PLUG MATERIAL: POLYCARBONATE

PLUG TOLERANCES AND DIMENSIONS: * COMPLIES WITH ANSI/TIA-1096-A REQUIREMENTS
FLAME AUTO EXTINGUISH: 94-V0 - File# E188111

OPERATION TEMPERATURE: -40°C TO +85°C
INSERTION/EXTRACTION LIFE: 1000 CYCLES
CONTACT RESISTANCE: 10 MILLOHMS MAX.
CURRENT/VOLTAGE: 30 VAC/42 VDC AT 1.5 AMPS

(RoHS COMPLIANT)

* FORMER COMPLIANCE, FCC PART 68.500



PART NO. = 111S08080090C34