

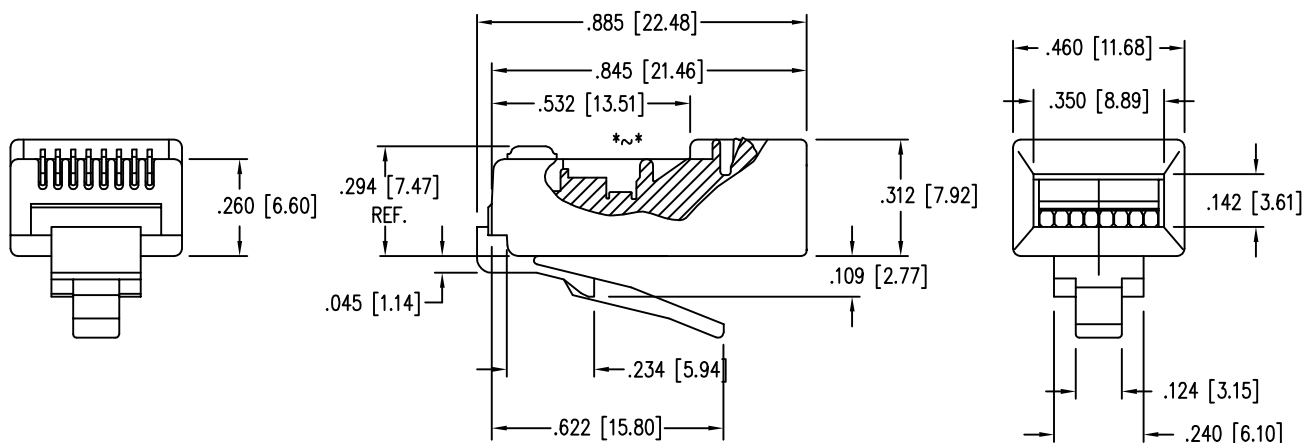
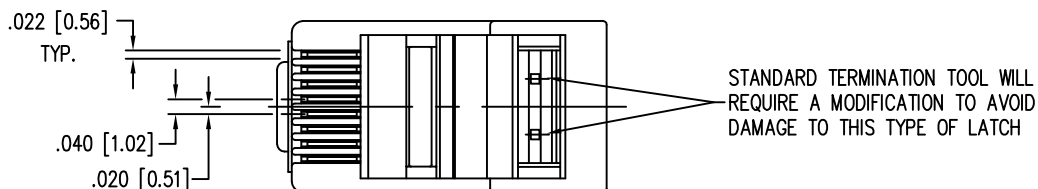
Sentinel® Connector Systems Inc.

1953 Stanton Street

York, Pa. 17404

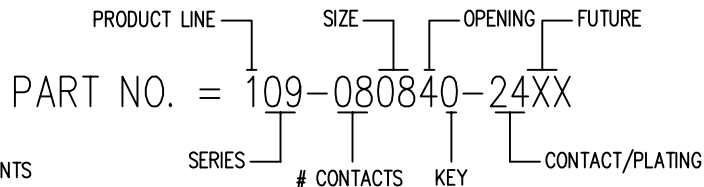
PART NO.: 109-080840-24

- * EIGHT CONDUCTOR MODULAR PLUG
- * FOR CONDUCTORS WITH MAXIMUM O.D. OF .038
- * FOR SOLID/STRANDED WIRE APPLICATIONS
- * USES .014 CONTACT MATERIAL
- *~* SPECIAL CONDUCTOR BAR AND LATCH LOCKS



SPECIFICATIONS :

PERFORMANCE:	MEETS OR EXCEEDS CATEGORY 5e TIA/EIA 568-B.2
CONTACT MATERIAL:	PHOSPHOR BRONZE .014 THICK MATERIAL
CONTACT PLATING:	50 MICRO-INCH SELECTIVE GOLD PLATE IN CONTACT AREA OVER 100 MICRO-INCH MINIMUM NICKEL PLATING. OTHER PLATING THICKNESSES AVAILABLE.
PLUG MATERIAL:	POLYCARBONATE
PLUG TOLERANCES AND DIMENSIONS:	* COMPLIES WITH ANSI/TIA-1096-A REQUIREMENTS
U.L. RECOGNIZED	File# E188111
FLAME AUTO EXTINGUISH	94-V0
OPERATION TEMPERATURE:	-40°C TO +85°C
INSERTION/EXTRACTION LIFE:	1000 CYCLES
CONTACT RESISTANCE:	10 MILLOHMS MAX.
CURRENT/VOLTAGE:	30 VAC/42 VDC AT 1.5 AMPS
(RoHS COMPLIANT)	



* FORMER COMPLIANCE, FCC PART 68.500