

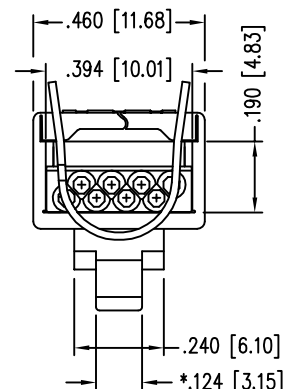
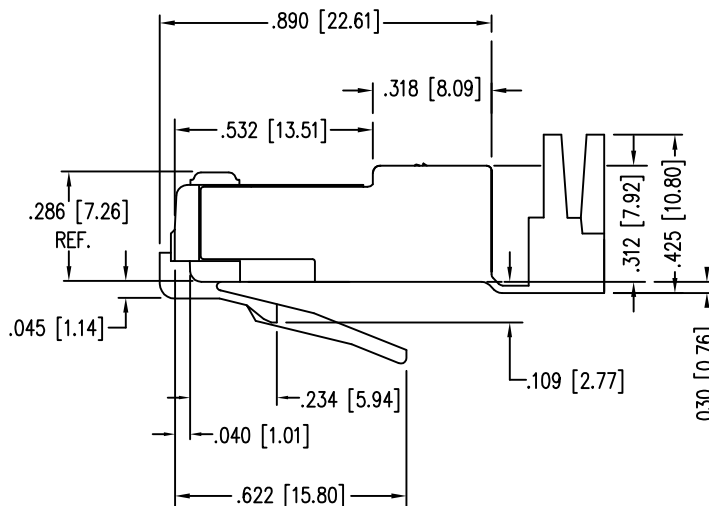
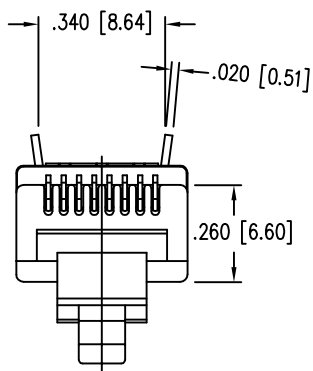
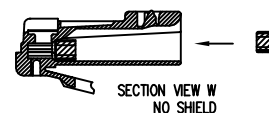
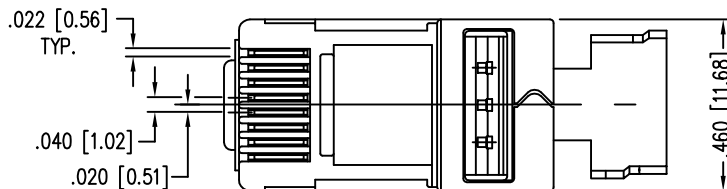
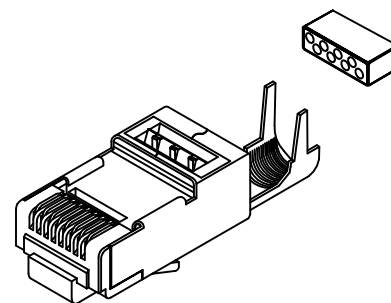
# Sentinel® Connector Systems Inc.

1953 Stanton Street

York, Pa. 17404

PART NO.: 111S08080054H34

- \* EIGHT CONDUCTOR MODULAR PLUG
- \* FOR HIGH SPEED APPLICATION
- \* FOR CONDUCTORS WITH AN O.D. RANGE OF .037/.042
- \* USE FOR SOLID OR STRANDED CONDUCTORS
- \* PRODUCT REQUIRES A CONDUCTIVE LOAD BAR
- \* SHIELDED VERSION (SPECIAL HEIGHT) MODULAR PLUG
- \* FOR CABLE DIAMETERS UP TO .310 DIAMETER



**SPECIFICATIONS :**

PERFORMANCE:	MEETS OR EXCEEDS CATEGORY 6 ANSI/EIA 568-C.2 PERFORMANCE TUNED TO CABLES MEETING CATEGORY 6 SPECIFICATIONS.
CONTACT MATERIAL:	PHOSPHOR BRONZE - .012 THK
CONTACT PLATING:	50 MICRO-INCH : OTHER PLATING OPTIONS AVAILABLE SELECTIVE 24 CARAT HARD GOLD PLATE IN CONTACT AREA OVER 100 MICRO-INCH MINIMUM NICKEL PLATE PER CURRENT SELECTIVE GOLD PLATING REQUIREMENTS.
PLUG MATERIAL:	POLYCARBONATE
SHIELD MATERIAL:	.012 THK CDA-260 1/4 HARD BRASS
SHIELD PLATING:	100% TIN, 100-150 MICRO-INCH TIN PLATED
PLUG TOLERANCES AND DIMENSIONS:	* COMPLIES WITH ANSI/TIA-1096-A REQUIREMENTS
FLAME AUTO EXTINGUISH	94-V0 - File# E188111
OPERATION TEMPERATURE:	-40°C TO +85°C
INSERTION/EXTRACTION LIFE:	1000 CYCLES
CONTACT RESISTANCE:	10 MILLOHMS MAX.
CURRENT/VOLTAGE:	30 VAC/42 VDC AT 1.5 AMPS
(RoHS COMPLIANT)	* FORMER COMPLIANCE, FCC PART 68.500

