

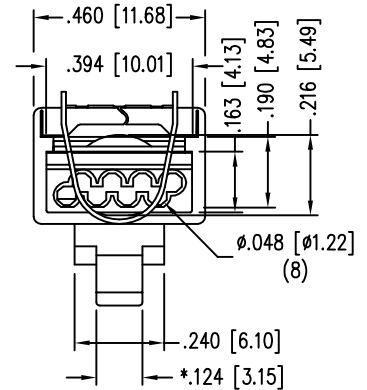
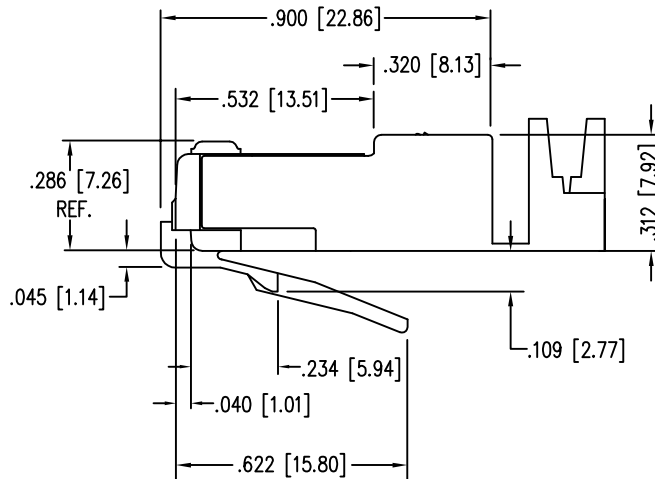
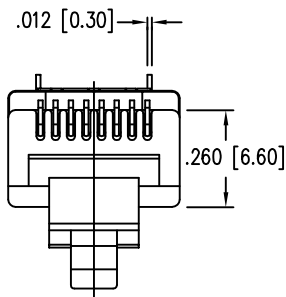
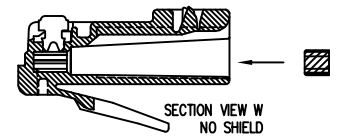
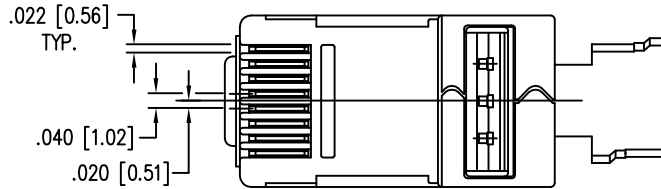
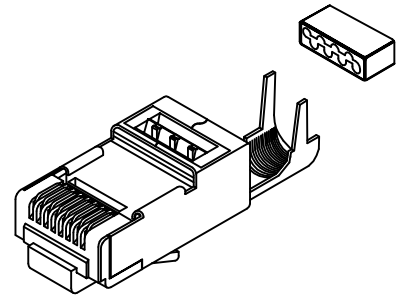
# Sentinel® Connector Systems Inc.

1953 Stanton Street

York, Pa. 17404

PART NO.: 111S08080090C34

- \* EIGHT CONDUCTOR MODULAR PLUG
- \* FOR HIGH SPEED APPLICATION
- \* FOR CONDUCTORS WITH AN O.D. RANGE OF .044 - .048
- \* USE FOR SOLID OR STRANDED CONDUCTORS
- \* PRODUCT REQUIRES A CONDUCTIVE LOAD BAR
- \* SHIELDED VERSION MODULAR PLUG



"PATENTED"

**SPECIFICATIONS :**

**PERFORMANCE:** MEETS OR EXCEEDS CATEGORY 6 ANSI/EIA 568-C.2  
PERFORMANCE TUNED TO CABLES MEETING CATEGORY 6 SPECIFICATIONS.

**CONTACT MATERIAL:** PHOSPHOR BRONZE - .012 THK  
**CONTACT PLATING:** 50 MICRO-INCH : OTHER PLATING OPTIONS AVAILABLE  
SELECTIVE 24 CARAT HARD GOLD PLATE IN CONTACT AREA  
OVER 100 MICRO-INCH MINIMUM NICKEL PLATE  
PER CURRENT SELECTIVE GOLD PLATING REQUIREMENTS.  
**SHIELD MATERIAL:** .012 THK CDA-260 1/4 HARD BRASS

**SHIELD PLATING:** 100% TIN, 100-150 MICRO-INCH TIN PLATED  
**PLUG MATERIAL:** POLYCARBONATE

**PLUG TOLERANCES AND DIMENSIONS:** \* COMPLIES WITH ANSI/TIA-1096-A REQUIREMENTS  
**FLAME AUTO EXTINGUISH:** 94-V0 - File# E188111

**OPERATION TEMPERATURE:** -40°C TO +85°C  
**INSERTION/EXTRACTION LIFE:** 1000 CYCLES  
**CONTACT RESISTANCE:** 10 MILLOHMS MAX.  
**CURRENT/VOLTAGE:** 30 VAC/42 VDC AT 1.5 AMPS

(RoHS COMPLIANT)

\* FORMER COMPLIANCE, FCC PART 68.500

