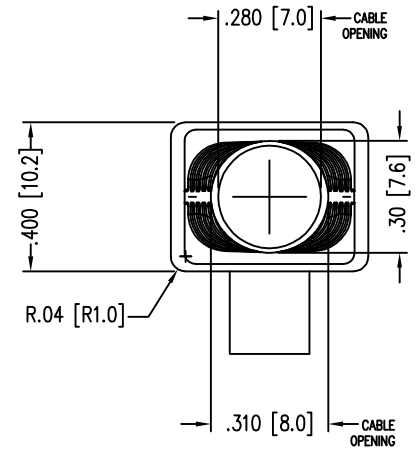
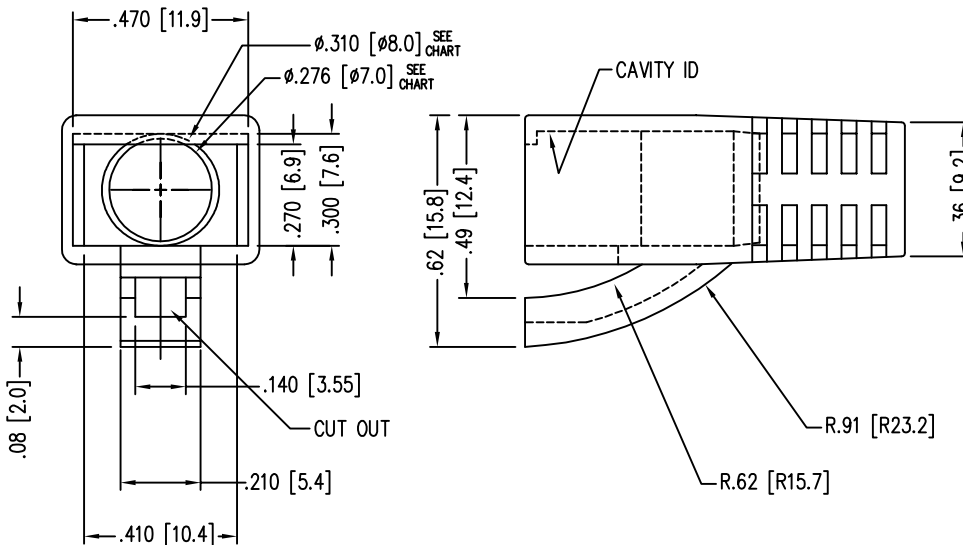
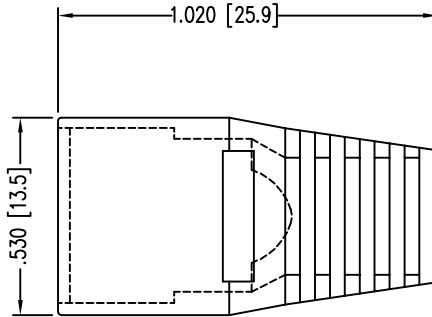
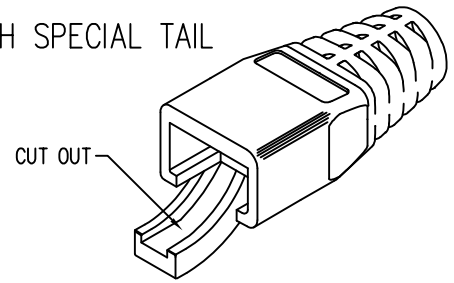


# Sentinel Connector Systems Inc.

1953 Stanton Street

York, Pa. 17404

## STANDARD PULL OVER STRAIN RELIEF BOOT WITH SPECIAL TAIL



DRAWING SHOWS MULTIPLE CABLE OPENINGS

| PT No.: | 8.0mm           | V-0 | 8.0mm          | V-0 | 7.0mm          | V-0 |
|---------|-----------------|-----|----------------|-----|----------------|-----|
|         | B0041---GREY    | NO  | B0049---GREEN  | NO  | B0045---BLACK  | NO  |
|         | B0042---BLUE    | NO  | B0049-V0 GREEN | YES | B0045-V0 BLACK | YES |
|         | B0043---WHITE   | NO  | B0051-V0 BLACK | YES | B0053---BLUE   | NO  |
|         | B0043-V0 WHITE  | YES | B0051---BLACK  | NO  | B0054---CLEAR  | NO  |
|         | B0044---YELLOW  | NO  | B0052---CLEAR  | NO  |                |     |
|         | B0046---RED     | NO  | B0052-V0 CLEAR | YES |                |     |
|         | B0047---ORANGE  | NO  | B0055-V0 GREY  | YES |                |     |
|         | B0048---PURPLE  | NO  |                |     |                |     |
|         | B0048-V0 PURPLE | YES |                |     |                |     |
|         |                 |     |                |     |                |     |
|         |                 |     |                |     |                |     |

PRODUCT LINE  
 PART NO. = BOOXX  
 TYPE & COLOR

MATERIAL: PVC, & (V-0) WHERE NOTED

FEATURES: SNAGLESS TAB

SDB00XX-C

TOLERANCE:

(X.XXX) 3 PLC DEC =+/- .020

UNIT OF MEASUREMENT IN INCHES

6/05/14 REV A15

5/12/14 REV A14

3/05/14 REV A13