

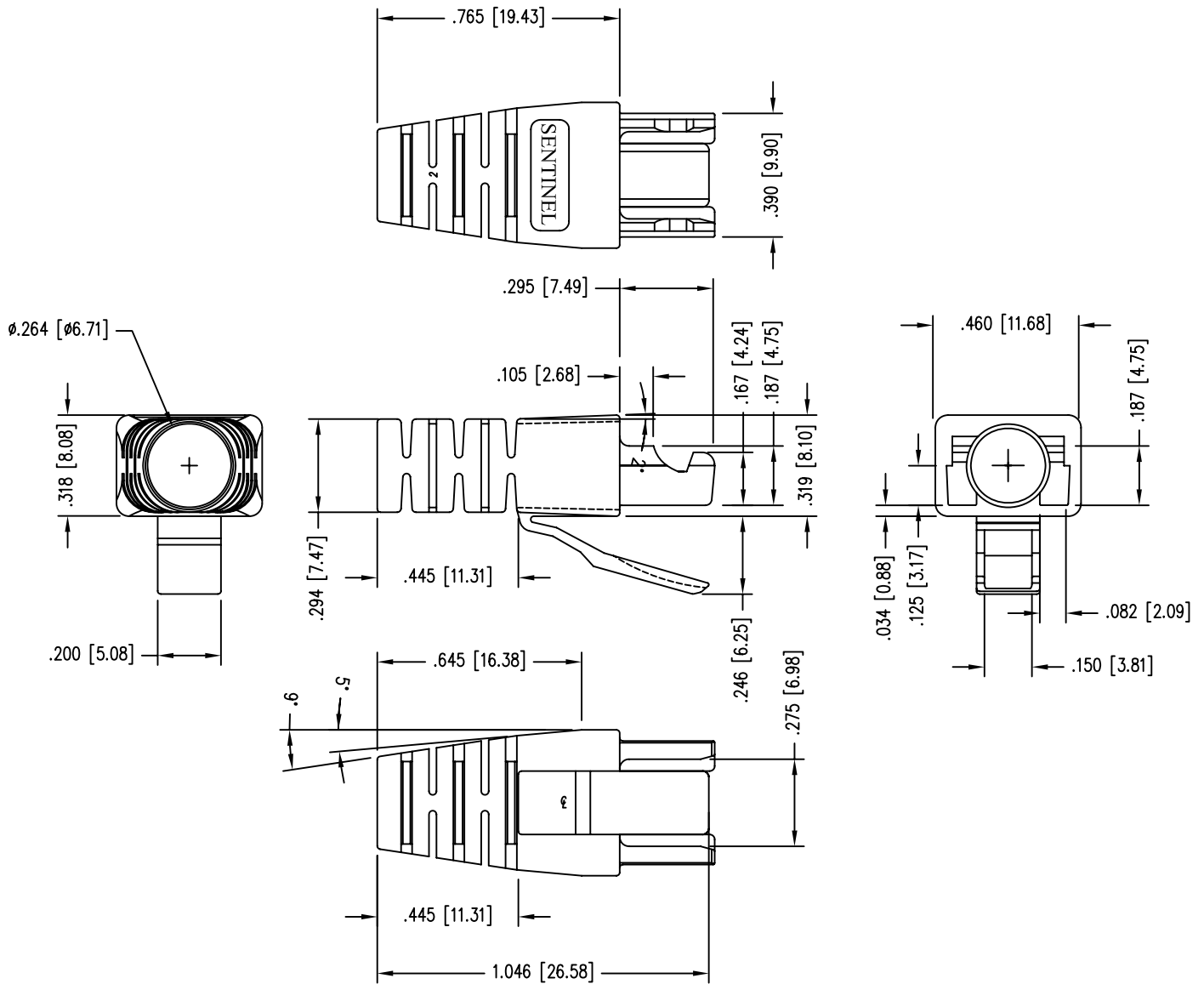
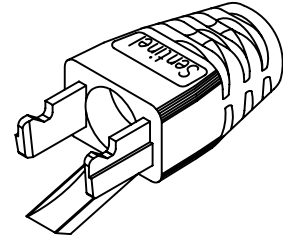
# Sentinel Connector Systems Inc.

1953 Stanton Street

York, Pa. 17404

PART NO.: B00046L

- \* FOR USE WITH SPECIFIC LOAD BAR STYLE RJ-45 PLUGS
- \* OPENING TO ACCEPT CABLES TO 6.7mm
- \* THIS PART IS CLEAR IN COLOR
- \* MATERIAL - POLYCARBONATE, V-0



**SPECIFICATIONS:**

MATERIAL: POLYCARBONATE - V0  
 OPERATING TEMPERATURE: -40° TO +70° C  
 U.L. RECOGNIZED File# E188111  
 FLAME AUTO EXTINGUISH 94-V0

SD0B00046L

10/01/2007 REV A2  
 8-28-2007 REV A1  
 5-19-2006 REV A0