

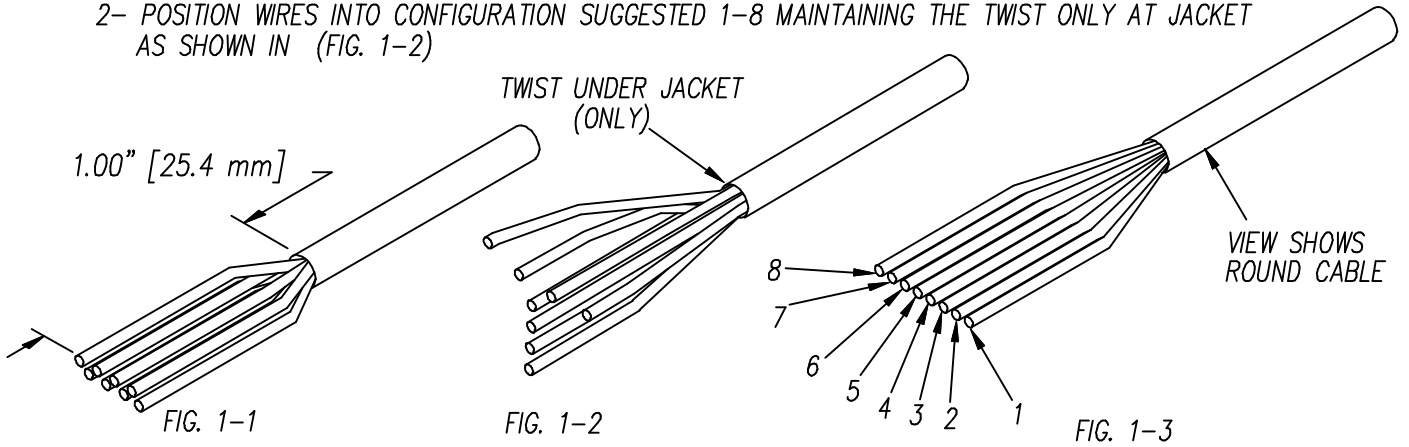
# Sentinel Connector Systems, Inc

PART NO. : ENG00009

106 SERIES  
CATEGORY 5, EIGHT CONDUCTOR WIRING CONFIGURATIONS

1- STRIP OFF INSULATION AND CUT WIRES APPROXIMATELY 1" LONG (FIG 1-1)

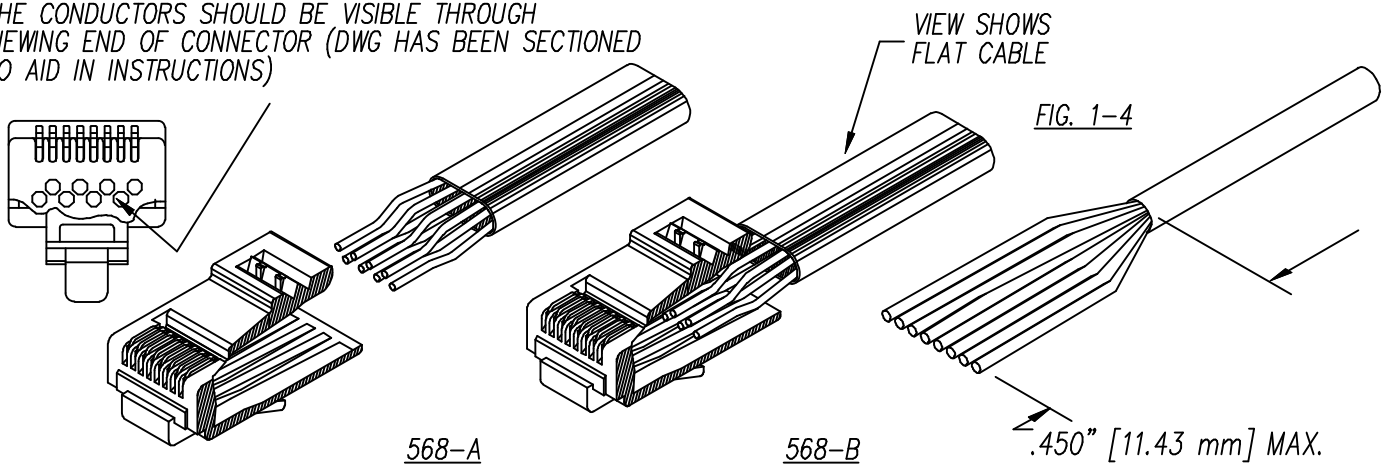
2- POSITION WIRES INTO CONFIGURATION SUGGESTED 1-8 MAINTAINING THE TWIST ONLY AT JACKET AS SHOWN IN (FIG. 1-2)



3- AFTER POSITIONING THE CONDUCTOR WIRES INTO PROPER POSITION, PINCH THE JACKET OVER THE CONDUCTORS FIRMLY AND CUT THE FINAL LENGTH TO APPROX .450 [11.33mm]

4- PUSH CABLE INTO PLUG HOUSING AT AN APPROXIMATE 30° ANGLE, WHILE CONTINUING TO PINCH JACKET PUSH ALL CONDUCTORS UNDER THE IDC CONTACTS AND AS FAR INTO THE HOUSING AS POSSIBLE (VIEW INTO FRONT OF HOUSING)

THE CONDUCTORS SHOULD BE VISIBLE THROUGH VIEWING END OF CONNECTOR (DWG HAS BEEN SECTIONED TO AID IN INSTRUCTIONS)



	<u>568-A</u>		<u>568-B</u>	
WHT/GRN	_____ 1	POSITION 1	_____ 1	WHT/ORG
GREEN	_____ 2	POSITION 2	_____ 2	ORG
WHT/ORG	_____ 3	POSITION 3	_____ 3	WHT/GRN
BLUE	_____ 4	POSITION 4	_____ 4	BLUE
WHT/BLU	_____ 5	POSITION 5	_____ 5	WHT/BLU
ORANGE	_____ 6	POSITION 6	_____ 6	GREEN
WHT/BRN	_____ 7	POSITION 7	_____ 7	WHT/BRN
BROWN	_____ 8	POSITION 8	_____ 8	BROWN