

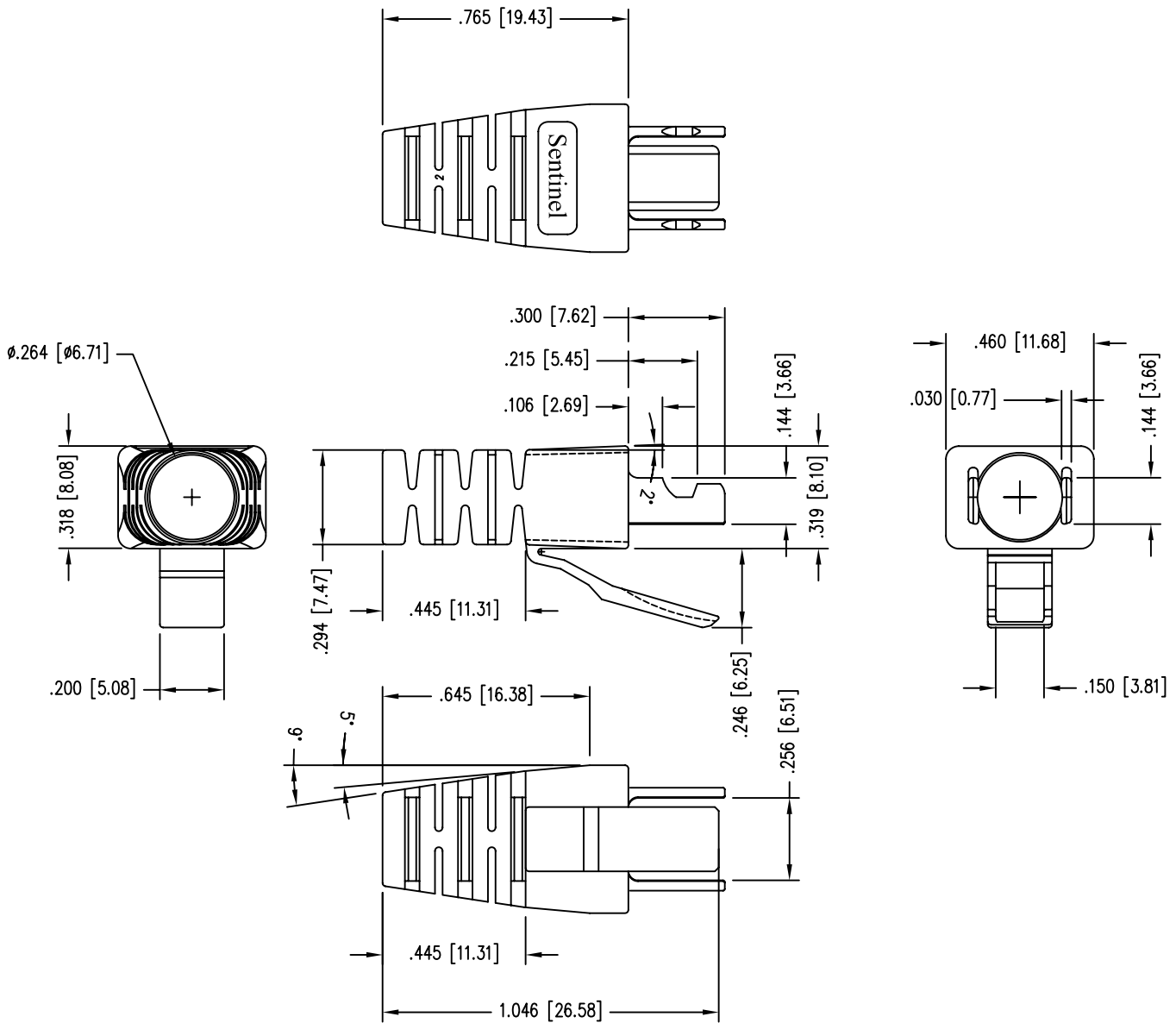
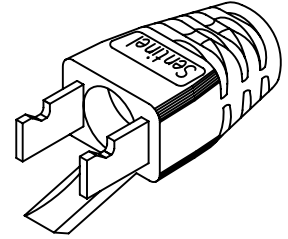
# Sentinel Connector Systems Inc.

1953 Stanton Street

York, Pa. 17404

PART NO.: B00047L

- \* FOR USE WITH SPECIFIC 110 RADIUS STYLE RJ-45 PLUGS
- \* OPENING TO ACCEPT CABLES TO 6.7mm
- \* THIS PART IS CLEAR IN COLOR
- \* MATERIAL - POLYCARBONATE, V-0



## SPECIFICATIONS:

MATERIAL: \_\_\_\_\_ POLYCARBONATE - V0  
OPERATING TEMPERATURE: \_\_\_\_\_ -40° TO +70° C  
U.L. RECOGNIZED File# E188111  
FLAME AUTO EXTINGUISH 94-V0

SD0B00047L

10/01/2007 REV A1  
5-19-2006 REV A0