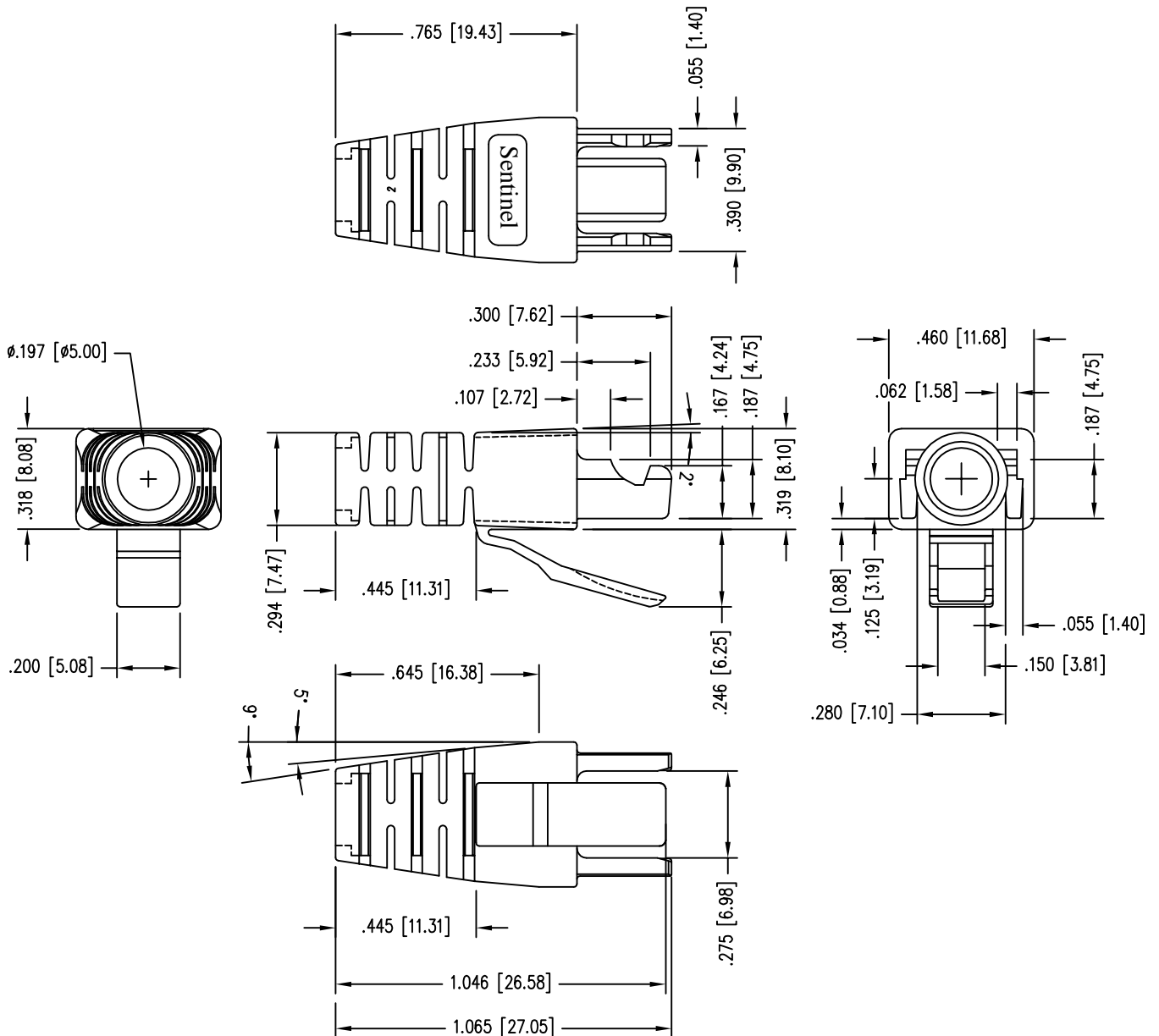
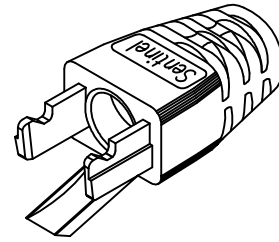


# Sentinel Connector Systems Inc.

1953 Stanton Street  
York, Pa. 17404

PART NO.: B00067L

- \* FOR USE WITH SPECIFIC LOAD BAR STYLE RJ-45 PLUGS
- \* OPENING TO ACCEPT CABLES TO 5.0 mm
- \* THIS PART IS CLEAR IN COLOR



**SPECIFICATIONS:**

MATERIAL: \_\_\_\_\_ POLYCARBONATE - V0  
 OPERATING TEMPERATURE: \_\_\_\_\_ -40° TO +70° C  
 U.L. RECOGNIZED File# E188111  
 FLAME AUTO EXTINGUISH 94-V0